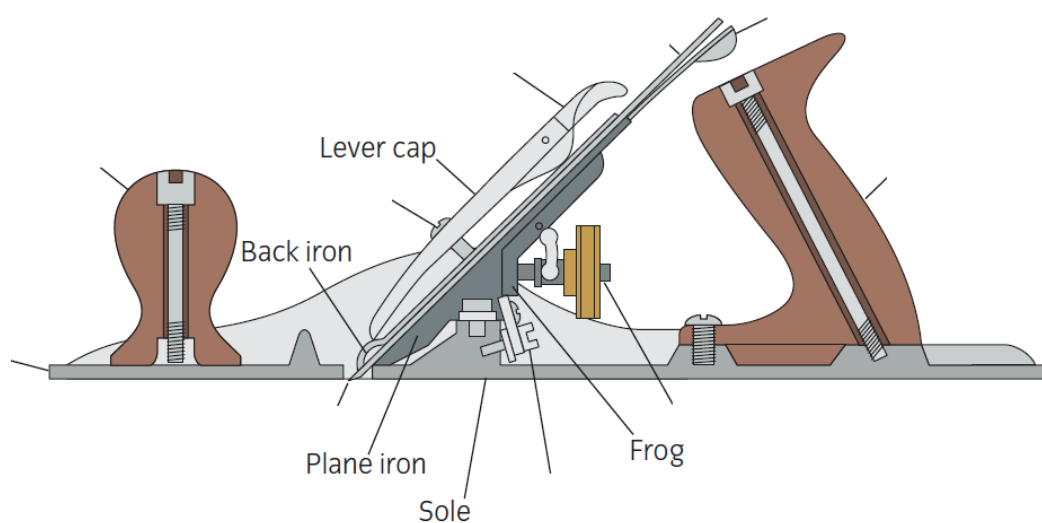


## Carpentry and Joinery hand tools

### Parts of a bench plane

---

Label the bench plane correctly by writing the name of the parts to the correct position on the image below. To get you started, some have been done for you.



Your options are:

- toe
- knob
- mouth
- frog adjustable screw
- cap screw
- adjusting screw
- cam
- blade
- lateral adjustment lever
- handle.